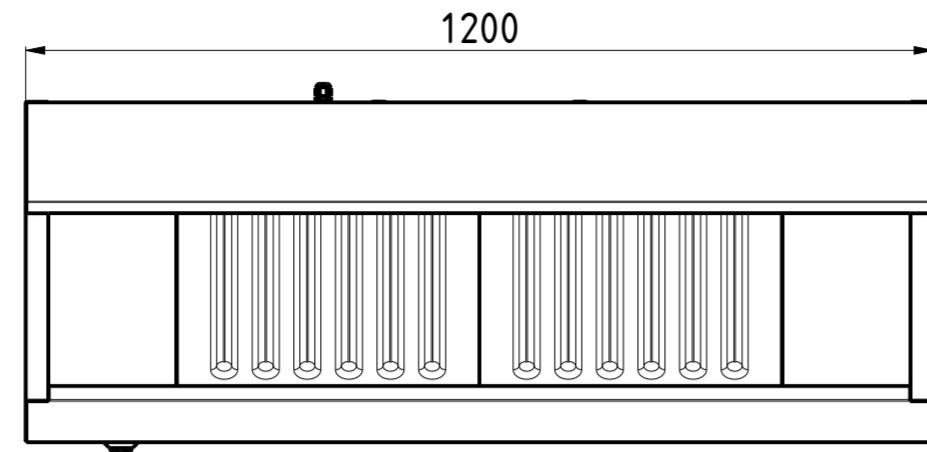
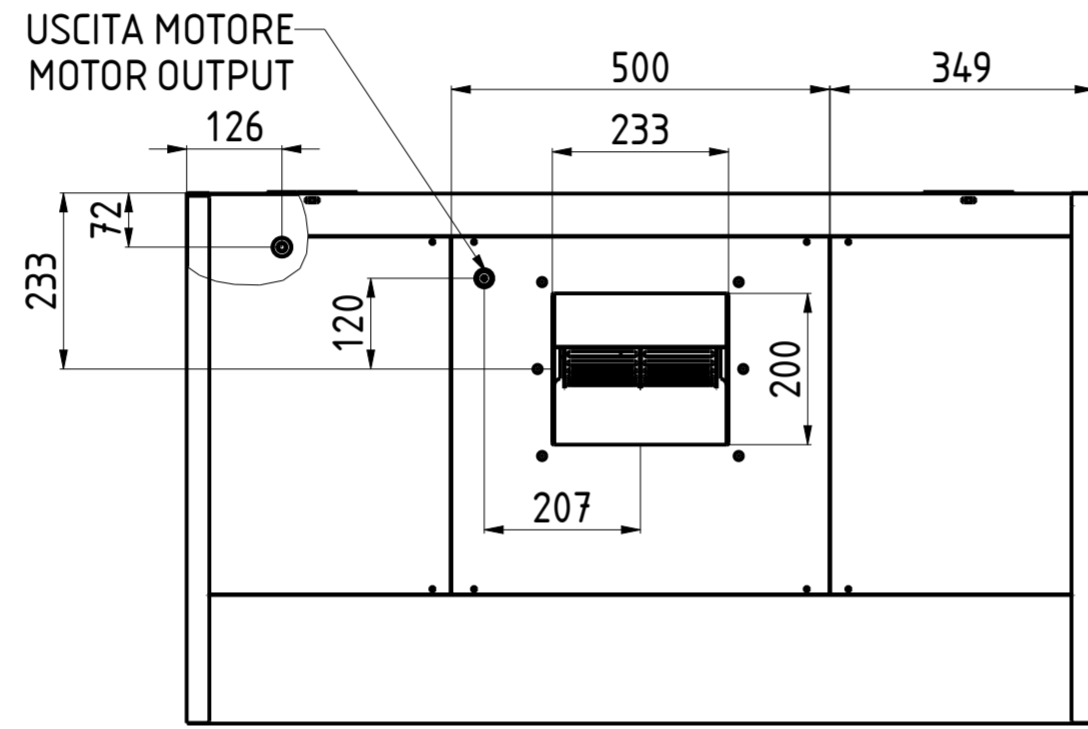


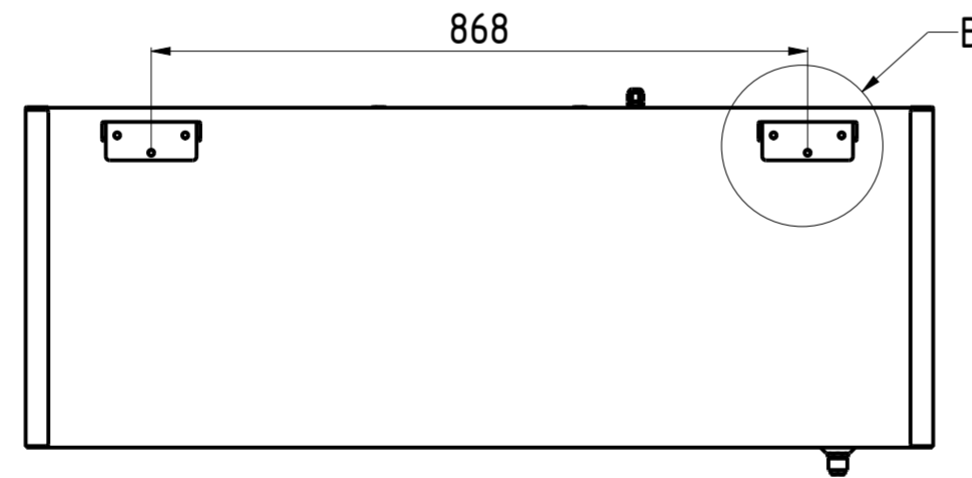
# CHCSK0712M



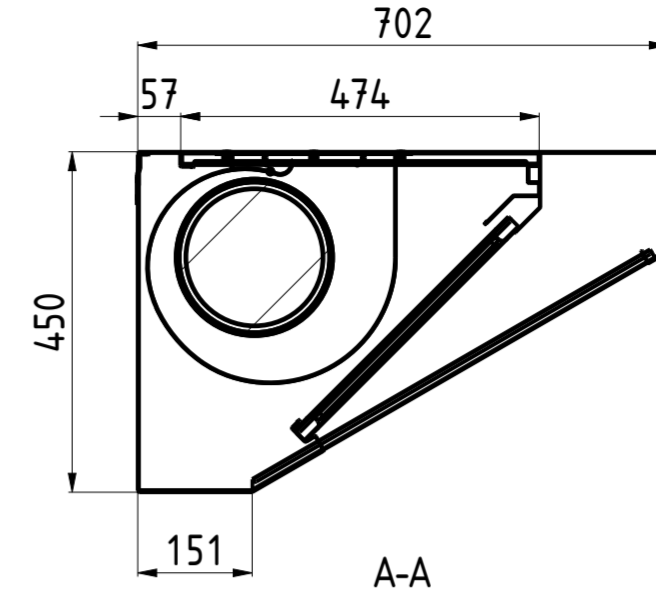
FRONT VIEW 1:10  
SCARICO DRAIN



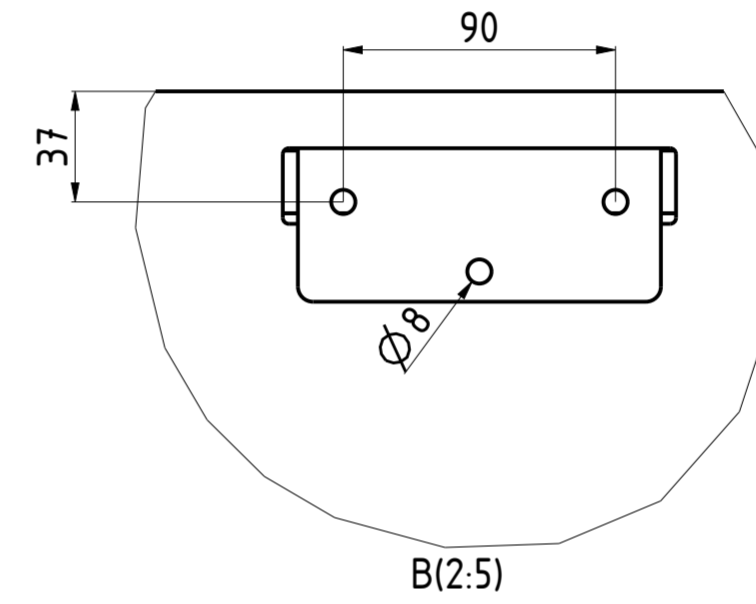
B-B



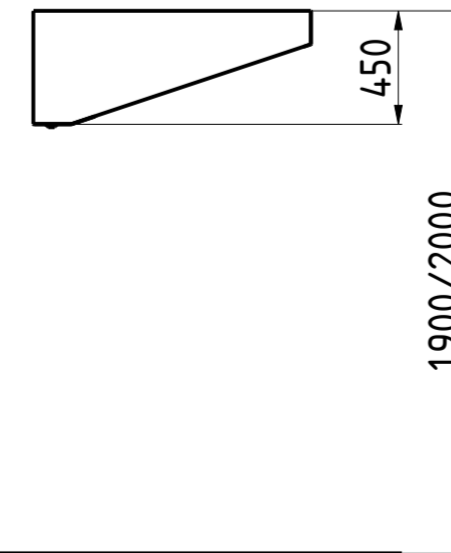
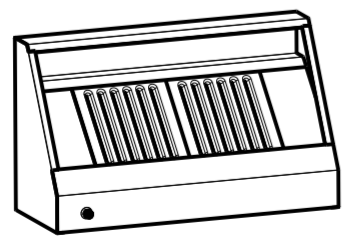
BACK VIEW 1:10



A-A



B(2:5)



NR. LUCI NR. LIGHTS	PORTATA FLOW RATE	HST mmH <sub>2</sub> O	WATT	SDR	PESO (Kg) WEIGHT (Kg)
—	1050	24	147	7/7	53

DATA DATE	MODIF. N. MODIF. NO.	DESCRIZIONE MODIFICHE MODIFICATION DESCRIPTION	DISegnATO DRAWN BY	APPROVATO APPROVED
MODELLO CAPP A SNACK CON MOTORE 7/12 MODEL SNACK HOOD WITH MOTOR 7/12			DISIGNO N. DRAWING NO. CHCSK0712M	SCALA SCALE -
PARTICOLARE SCHEDA TECNICA DETAIL DATA SHEET			DISIGNATO DRAWN BY	DATA DATE -
MATERIALE MATERIAL AISI 304 - AISI 430	SPESS. THICK. -		APPROVATO APPROVED	SHEET 2 OF 3
FINITURA FINISH	PEZZI N. PIECES NO.	SOSTITUISCE IL DIS. N. IT REPLACES DRAWING NO.		ULTIMA EMISS. LAST EDITION
TRATTAMENTO TREATMENT	COLORE COLOUR	SOSTITUITO DAL DIS. N. REPLACED BY DRAWING NO.		

ELABORATO CON SISTEMA CAD  
 DESIGNED BY CAD/STEM  
 QUOTA PRIMARIA  
 PRIMARY DIMENSION  
 XX  
 ANGOLI  
 Angles  
 ±0.30°  
 TOLLERANCE UNLESS OTHERWISE STATED  
 QUOTE SENZA TOLLERANZA  
 DIMENSIONS WITHOUT TOLERANCE  
 >500 ±0.75  
 400-500 ±0.65  
 315-400 ±0.60  
 250-315 ±0.55  
 180-250 ±0.50  
 120-180 ±0.45  
 80-120 ±0.40  
 50-80 ±0.35  
 30-50 ±0.30  
 18-30 ±0.25  
 10-18 ±0.20  
 5-10 ±0.15  
 0-5 ±0.10  
 LUNGH. E DIAM.  
 LENGTH AND DIAM.  
 mm  
 FORM.A-2